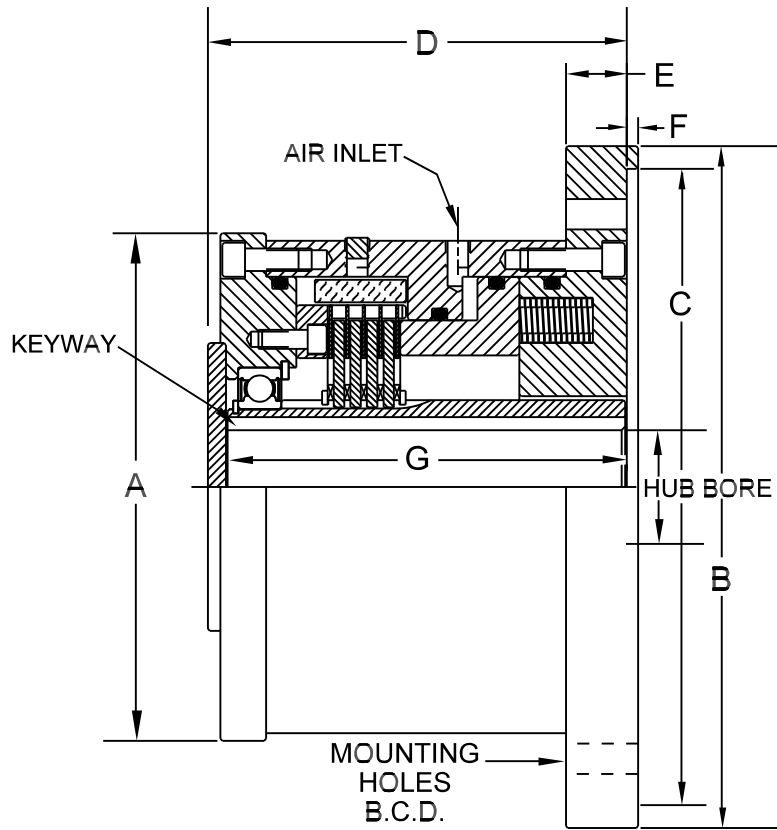
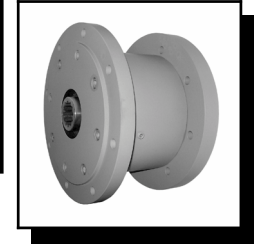


## SPRING APPLIED / AIR RELEASED ENCLOSED HOLDING BRAKE



MODEL	A	B	C	D	E	F	G	BORE	KEYWAY	MOUNTING HOLES	B.C.D.	STATIC TORQUE CAPACITY	WEIGHT	MAX RPM
90SBW	7.500	9.00	8.503	5.125	1.000	.188	4 1/8	1.627	3/8 X 3/16	17/32 4 plcs.	7.250	90 ft lb	75 lb	1800
135SBW	8.750	11.250	10.504	5.625	1.000	.188	4 3/4	1.877	1/2 X 1/4	17/32 4 plcs.	9.000	135 ft lb	110 lb	1800
175SBW	9.250	13.250	12.504	6.125	1.000	.219	5 3/8	2.127	1/2 X 1/4	21/32 8 plcs.	11.000	175 ft lb	140 lb	1800
225SBW	10.500	13.250	12.504	8.000	1.250	.219	7	2.877	3/4 X 3/8	21/32 8 plcs.	11.000	225 ft lb	200 lb	1200
435SBW	10.500	13.250	12.504	8.000	1.250	.219	7	2.877	3/4 X 3/8	21/32 8 plcs.	11.000	435 ft lb	250 lb	1200

**THE CARLSON CO. INC. USA**

Fax: (316) 744-2144 • Phone: (316) 744-0481  
www.carlsoncompany.com

2008

E-14

( ) - contains metric dimensions  
Lubricated Air Required