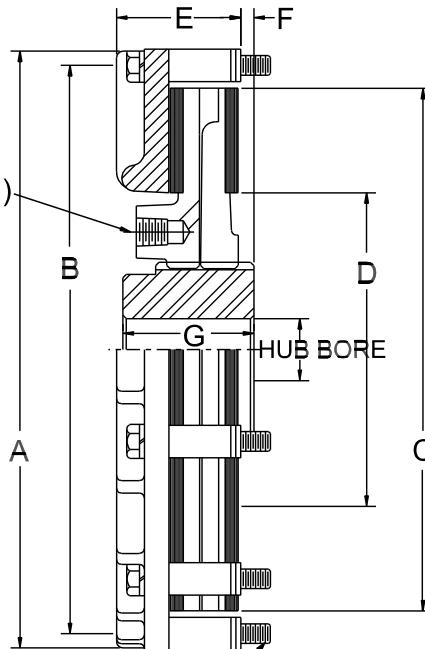


# MODEL CW CLUTCH SIZE 16 - 18 - 20 - 22



AIR INLET  
K-PLACES  
J-THREADS (N.P.T.)



H-CAP SCREWS  
I-EQUAL PLACES

MODEL	A	B	C	D	E	F	G	H	I	J	K	HUB BORE			PRESSURE PLATE* WK <sup>2</sup> Lb-Ft <sup>2</sup> (Kg-Cm <sup>2</sup> )	TORQUE PLATE WK <sup>2</sup> Lb-Ft <sup>2</sup> (Kg-Cm <sup>2</sup> )	Weight Lbs. Approx. (Kg)
												Min. Bore	Max. Bore Standard Keyway	Max. Bore Shallow Keyway			
16	17.87 (435.9)	17.125 (435.0)	16.00 (406.4)	9.00 (228.6)	2.75 (69.9)	.37 (9.4)	3.00 (76.2)	½-20	10	3/8	2	1.68 (42.67)	3.500 (88.90)	3.875 (98.43)	12.40 (5232.8)	9.57 (4038.54)	95 (43.1)
18	19.87 (504.7)	19.125 (485.8)	18.00 (457.2)	10.00 (254.0)	2.87 (72.9)	.37 (9.4)	3.00 (76.2)	1/2-20	12	3/8	2	1.68 (42.67)	3.500 (88.90)	3.875 (98.43)	20.57 (8680.54)	14.64 (6178.08)	118 (53.6)
20	22.25 (565.2)	21.250 (539.8)	20.00 (580.0)	11.00 (279.4)	3.19 (81.0)	.50 (12.7)	4.00 (101.6)	5/8-18	10	3/8	3	2.75 (69.85)	4.625 (117.48)	5.125 (130.18)	37.74 (15926.28)	26.30 (11098.60)	170 (77.2)
22	24.25 (616.0)	23.250 (590.6)	22.00 (558.8)	12.00 (304.8)	3.25 (82.6)	.50 (12.7)	4.00 (101.6)	5/8-18	12	3/8	3	2.75 (69.85)	4.625 (117.48)	5.125 (130.18)	54.02 (22796.44)	40.10 (16922.20)	220 (99.9)

\*Includes Pressure plate, Cap screws and Spacers.

## REPAIR KITS

MODEL	TORQUE (IN-LBS)** @ 60 PSI LOCO LINING (Nm @ 4.3Bar)	TORQUE (IN-LBS)** @ 80 PSI STANDARD LINING (Nm @ 5.7Bar)	MAXIMUM RPM
16	11792 (1332)	48196 (5446)	2200
18	19090 (2157)	77684 (8778)	2000
20	23879 (2698)	97543 (11022)	1800
22	35159 (3973)	143120 (16173)	1500

HARDWARE KITS CONTAINS- CAPSCREWS, LOCKWASHERS, SPACERS, ADJUSTMENT SPACERS		CENTERING MECHANISM KITS CONTAINS - LOCKNUTS, STUDS, SPRINGS, SCREWS, LOCKWASHERS, CENTERING MECHANISM BRACKETS	
SIZE	PART NUMBER	SIZE	PART NUMBER
16	4014-5	16	4013-6
18	4014-6	18	4013-6
20	4014-7	20	4013-8
22	4014-8	22	4013-8

\*\* The initial torque on new units may be up to 40% less than torque values shown until the friction lining is worn in.

**THE CARLSON CO. INC. USA**

Fax: (316) 744-2144 • Phone: (316) 744-0481  
www.carlsoncompany.com

2008

D-3

( ) - contains metric dimensions  
Dimensions shown are for general information only.  
Certified prints will be furnished upon request for design and installation purposes.