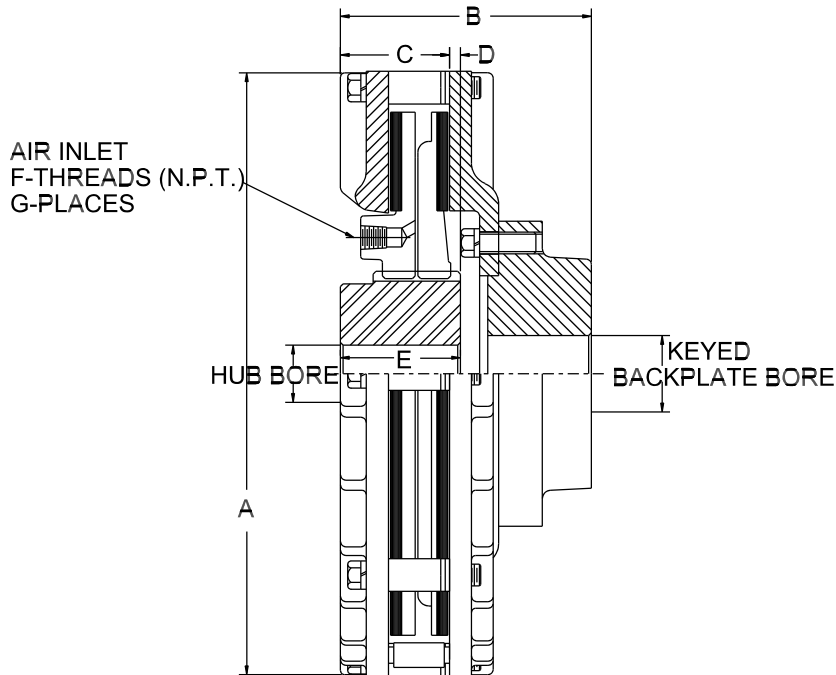




MODEL CK CLUTCH SIZE 25 - 28 - 32 - 36



| MODEL | A | B | C | D | E | F | G | HUB BORE | | | KEYED BACKPLATE BORE | | | PRESSURE PLATE* WK ² Lb-Ft ² (Kg-Cm ²) | TORQUE PLATE WK ² Lb-Ft ² (Kg-Cm ²) | Weight Lbs. (Kg) Approx. |
|-------|---------------|---------------|--------------|-------------|--------------|-----|---|--------------|---------------------------|--------------------------|----------------------|---------------------------|--------------------------|--------------------------------------------------------------------------|-----------------------------------------------------------------------|--------------------------|
| | | | | | | | | Min. Bore | Max. Bore Standard Keyway | Max. Bore Shallow Keyway | Min. Bore | Max. Bore Standard Keyway | Max. Bore Shallow Keyway | | | |
| 25 | 27.25 (692.2) | 10.62 (269.7) | 4.00 (101.6) | .62 (15.7) | 5.00 (127.0) | 1/2 | 3 | 2.75 (69.9) | 5.625 (142.9) | 6.250 (158.8) | 5.00 (127.0) | 7.250 (184.2) | 8.000 (203.2) | 214.20 (90392.4) | 76.05 (32093.1) | 550 (249.7) |
| 28 | 30.25 (768.4) | 11.81 (300.0) | 4.31 (109.5) | .62 (15.7) | 5.00 (127.0) | 1/2 | 3 | 2.75 (69.9) | 5.625 (142.9) | 6.250 (158.8) | 5.50 (139.7) | 7.750 (196.9) | 8.500 (215.9) | 379.80 (160275.6) | 122.20 (51568.4) | 720 (326.9) |
| 32 | 34.25 (870.0) | 13.06 (331.7) | 4.81 (122.2) | 1.25 (31.8) | 6.00 (152.4) | 1/2 | 3 | 4.00 (101.6) | 8.000 (203.2) | 8.500 (215.9) | 6.00 (152.4) | 9.250 (234.0) | 10.000 (254.0) | 699.20 (295062.4) | 233.80 (98663.6) | 1090 (494.9) |
| 36 | 38.25 (971.6) | 13.56 (344.4) | 5.06 (128.5) | 1.25 (31.8) | 6.00 (152.4) | 1/2 | 3 | 4.00 (101.6) | 8.000 (203.2) | 8.500 (215.9) | 6.50 (165.1) | 10.250 (260.4) | 11.000 (279.4) | 1263.60 (533239.2) | 363.28 (153304.2) | 1480 (671.9) |

*Includes Pressure plate, Cap screws and Spacer.

REPAIR KITS

| MODEL | TORQUE (IN-LBS)** @ 60 PSI LOCO LINING (Nm @ 4.3Bar) | TORQUE (IN-LBS)** @ 80 PSI STANDARD LINING (Nm @ 5.7Bar) | MAXIMUM RPM |
|-------|------------------------------------------------------|----------------------------------------------------------|-------------|
| 25 | 51677 (5839) | 210200 (23752) | 1200 |
| 28 | 79730 (9009) | 323454 (36550) | 1000 |
| 32 | 108519 (12262) | 441370 (49874) | 800 |
| 36 | 172387 (19479) | 699637 (79059) | 600 |

| HARDWARE KITS CONTAINS- CAPSCREWS, LOCKWASHERS, SPACERS, ADJUSTMENT SPACERS | | CENTERING MECHANISM KITS CONTAINS - LOCKNUTS, STUDS, SPRINGS, SCREWS, LOCKWASHERS, CENTERING MECHANISM BRACKETS | |
|--------------------------------------------------------------------------------------|-------------|--------------------------------------------------------------------------------------------------------------------------|-------------|
| SIZE | PART NUMBER | SIZE | PART NUMBER |
| 25 | 4014-9 | 25 | 4013-10 |
| 28 | 4014-10 | 28 | 4013-10 |
| 32 | 4014-11 | 32 | 4013-12 |
| 36 | 4014-12 | 36 | 4013-12 |

** The initial torque on new units may be up to 40% less than torque values shown until the friction lining is worn in.

THE CARLSON CO. INC. USA
Fax: (316) 744-2144 • Phone: (316) 744-0481
www.carlsoncompany.com

2008

D - 10

() - contains metric dimensions
Dimensions shown are for general information only.
Certified prints will be furnished upon request for design and installation purposes.