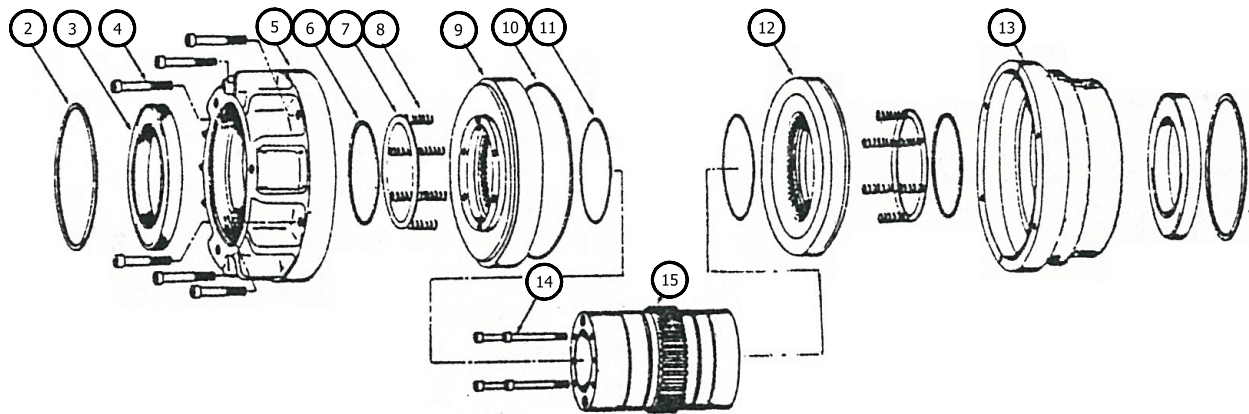


MODEL 4UC PM



| ITEM | NAME | PART NO. | Qty |
|------|--|----------|-----|
| 2. | Retaining Ring (Bearing Outer Race) | 1753 | 2 |
| 3. | Bearing | 1416 | 2 |
| 4. | Socket Head Cap Screw (Pressure Plate) | 1656-7 | 6 |
| 5. | Pressure Plate | 2602 | 1 |
| 6. | Retaining Ring (Bearing Inner Race) | 2604 | 2 |
| 7. | Spacer | 2605 | 2 |
| 8. | Return Spring | 2606 | 12 |
| 9. | Outer Torque Plate Assembly | 2608 | 1 |
| 9A. | Outer Torque Plate | 2607 | 1 |
| 9B. | Friction Lining | 2601 | 1 |
| 10. | O Ring (Torque Plate Rim) | 2611 | 1 |
| 11. | O Ring (Torque Plate Hub) | 2612 | 2 |
| 12. | Inner Torque Plate Assembly | 2610 | 1 |
| 12A. | Inner Torque Plate | 2609 | 1 |
| 12B. | Friction Lining | 2601 | 1 |
| 13. | Backplate, Pilot Mount | 2618 | 1 |
| 14. | Socket Head-cap Screw (Hub-to-Adapter) | 1656-13 | 4 |
| 15. | Hub | 2615 | 1 |