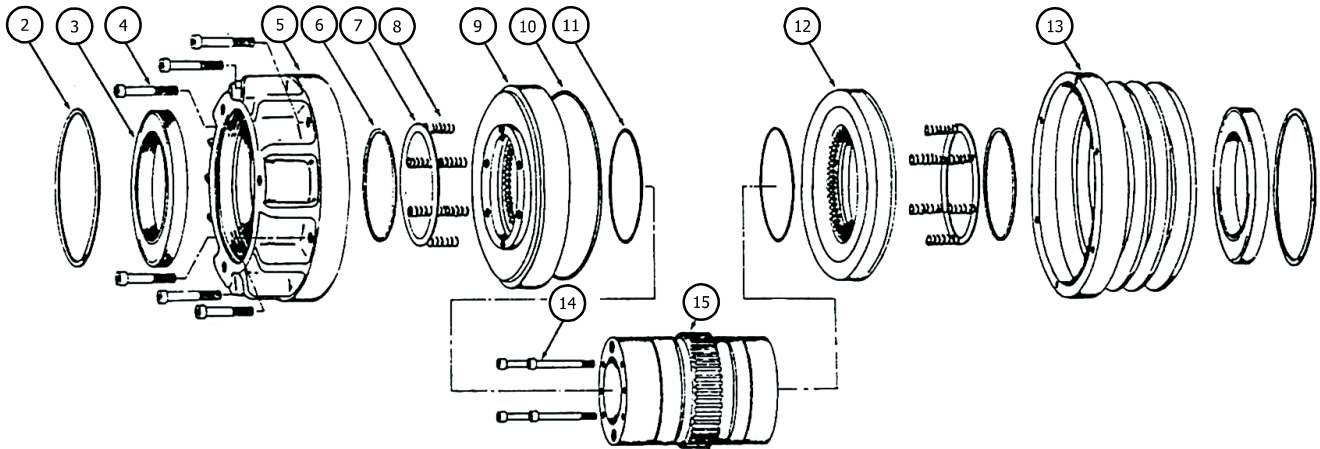


MODEL 4UC IM



ITEM	DESCRIPTION	PART NO.	Qty.
2.	Retaining Ring (Bearing Outer Race)	1753	2
3.	Bearing	1416	2
4.	Socket Head Cap Screw (Pressure Plate)	1656-7	6
5.	Pressure Plate	2602	1
6.	Retaining Ring (Bearing Inner Race)	2604	2
7.	Spacer	2605	2
8.	Return Spring	2606	12
9.	Outer Torque Plate Assembly	2608	1
9A.	Outer Torque Plate	2607	1
9B.	Friction Lining	2601	1
10.	O Ring (Torque Plate Rim)	2611	1
11.	O Ring (Torque Plate Hub)	2612	2
12.	Inner Torque Plate Assembly	2610	1
12A.	Inner Torque Plate	2609	1
12B.	Friction Lining	2601	1
13.	Integral Mount Backplate Sheave	2614-	1
14.	Socket Head Cap Screw (Hub-to-Adapter)	1656 -13	4
15.	Hub	2615	1