

CALIPER BRAKE DYNAMIC STOP AND HOLD

USED ON:

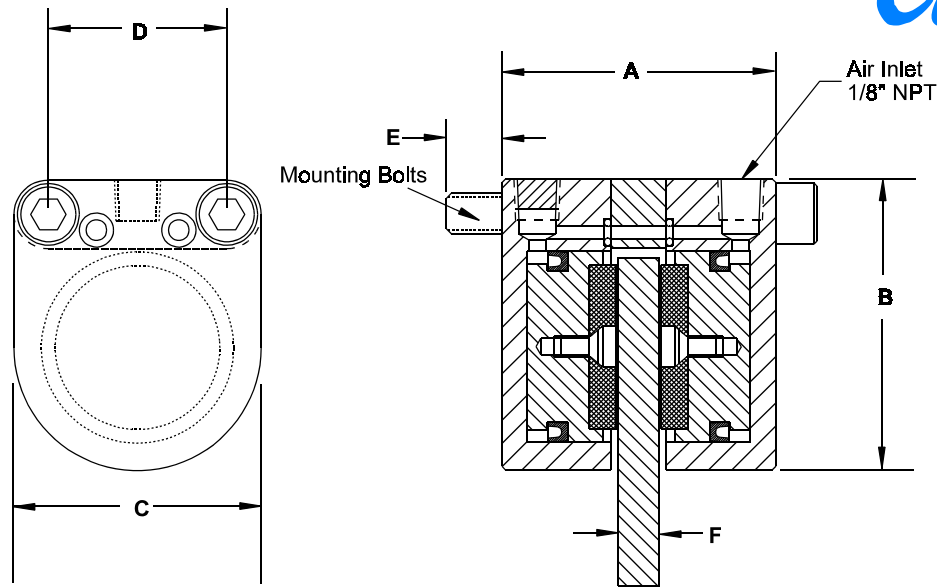
- PACKAGING MACHINERY
- GENERAL INDUSTRIAL MACHINERY
- COMMERCIAL LAUNDRY MACHINERY
- CONSTRUCTION MACHINERY
- MINING MACHINERY
- MATERIALS HANDLING MACHINERY
- ELEVATOR AND MOVING STAIRWAYS
- OVERHEAD TRAVELING CRANES AND HOISTS
- ROLLING MILL MACHINERY
- TEXTILE MACHINERY
- PAPER INDUSTRY MACHINERY
- PRINTING MACHINERY
- FOOD PROCESSING MACHINERY
- SPECIAL INDUSTRIAL MACHINERY

DISC SIZE	CBSA20 STATIC TORQUE INCH POUNDS (Nm)	CBSA10 STATIC TORQUE INCH POUNDS (Nm)
8" (203)	-	2440 (277.3)
10" (254)	-	3290 (373.9)
12" (305)	8550 (966.2)	4140 (470.5)
14" (356)	10450 (1180.9)	5000 (568.2)
16" (406)	12350 (1395.6)	5840 (663.6)
18" (457)	14250 (1610.3)	6700 (761.4)
24" (610)	20000 (2260.0)	9240 (1050)

Note: Dynamic torque is approximately 85% of static torque

CBSA - SPRING APPLIED/AIR RELEASE BRAKE CBAA - AIR APPLIED/SPRING RELEASE BRAKE

STANDARD ASSEMBLIES	A	B	C	D	E	F	G	H	I	J	K	I	M	MOUNTING BOLTS	AIR INLET
CBSA 20	12 15/16 (328.61)	7 3/16 (182.56)	6 (152.4)	2.218 (56.33)	4.406 (111.91)	2.031 (51.58)	.500 (12.7)	3/8 (9.52)	1 1/2 (38.10)	4 (101.6)	2 3/8 (60.32)	3/4 (19.05)	1 9/16 (39.68)	1/2-13,NC	1/4-18 NPT
CBAA 20	12 7/16 (315.91)	7 3/16 (182.56)	5 (127.0)	2.218 (56.33)	4.406 (111.91)	2.031 (51.58)	.500 (12.7)	3/8 (9.52)	1 1/2 (38.10)	4 (101.6)	2 3/8 (60.32)	3/4 (19.05)	1 9/16 (39.68)	1/2-13,NC	1/4-18 NPT
CBSA 10	9 5/8 (244.48)	5 3/8 (136.53)	4 7/16 (112.73)	1.625 (41.28)	3.313 (84.15)	1.531 (38.89)	.500 (12.7)	.281 (7.14)	1.125 (28.58)	3 (76.2)	1 3/4 (44.45)	9/16 (14.4)	1 3/16 (30.2)	3/8-16,NC	1/8-27 NPT



CB100 & CB200 PNEUMATIC CALIPER BRAKE

FEATURES AND BENEFITS

- EASY INSTALLATION WITH TWO MOUNTING BOLTS
- COMPACT DESIGN
- FRICTION LININGS BOLTED TO PISTON FOR QUICK REPLACEMENT

MODEL	A	B	C	D	E	F	MOUNTING BOLTS	STATIC TANGENTIAL FORCE @ 80 PSI	LINING AREA	WEARABLE LINING VOLUME
CB100	2.5	2.625	2.25	1.625	.5	.375	.375-16, NC	125 Lbs	3.3 sq in	.33 cu in
CB200	2.875	3.75	3.125	2.25	.625	.406	.5-13, NC	250 Lbs	8 sq in	1 cu in

SPECIFICATIONS STATIC TORQUE RATINGS @ 80 PSI

ROTOR DIAMETER	CB100	CB200
6"	270 IN-LB	-
9"	460 IN-LB	815 IN-LB
12"	650 IN-LB	1100 IN-LB
14"	-	1400 IN-LB

THE CARLSON COMPANY INC. • 6045 North Broadway • Wichita, Kansas 67219 USA

Phone: 316 744 0481 • Fax: 316 744 2144 • E-mail: info@carlsoncompany.com

www.carlsoncompany.com